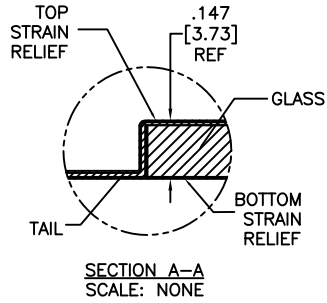


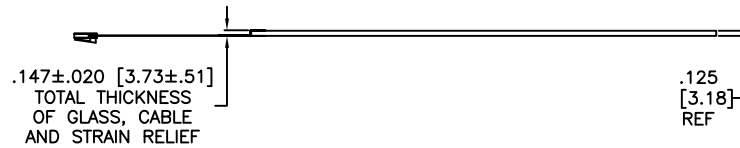
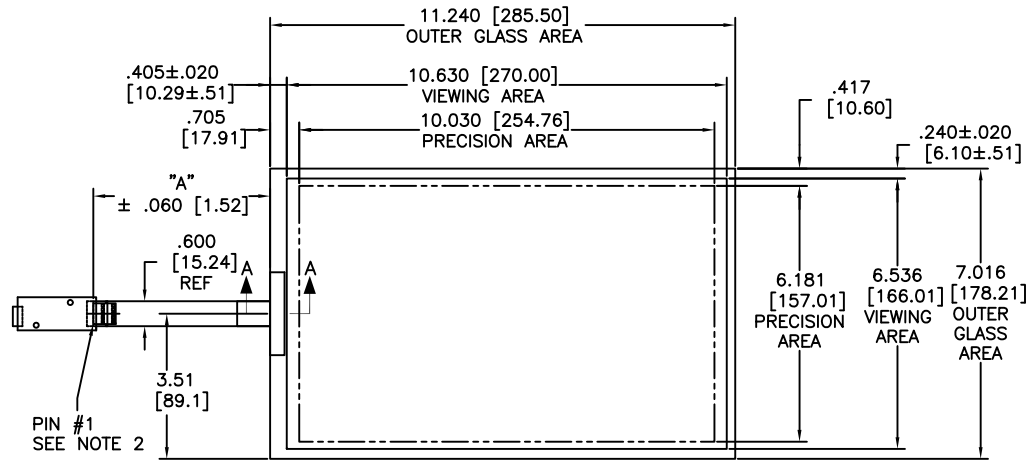
TOP LEVEL NUMBER	TYPE	DIM "A" (TOTAL GLASS TO CONNECTOR)	A/G FINISH	PRODUCT SPEC
98-0003-3110-2	CX111	4.27" [108.46]	AG500	36452

OGA DIAGONAL: 13.25 [336.55]  
VA DIAGONAL: 12.48 [316.94]  
PA DIAGONAL: 11.78 [299.24]

ESD CLAMSHELL CASE  
IS USED WITH ALL  
TERMINATIONS.



**CX111**  
98-0003-2990-8  
USB CONTROLLER  
SOLDER SIDE



NOTES:

1. WEIGHT OF GLASS IN GRAMS: 388±10%
2. 5 PIN AMP CONNECTOR  
LATCH STYLE HOUSING P/N: 487526-4  
TIN CONTACTS P/N: 2-487406-4  
HOUSING ORIENTED WITH LATCH DOWN

PINOUT	
1	LR
2	LL
3	SHLD
4	UL
5	UR

UNITS INCHES [MM]

TOLERANCES UNLESS OTHERWISE SPECIFIED  
.X ±  
.XX ±.03 [.76]  
.XXX ±.015 [.38]  
ANGLES ±1°

THIRD ANGLE PROJECTION

DO NOT SCALE DRAWING

SCALE 1 = 1

**3M** 3M TOUCH SYSTEMS  
METHUEN, MA  
USA

© COPYRIGHT 2004  
THIS DOCUMENT IS COPYRIGHTED PROPERTY OF THE  
3M COMPANY AND MAY NOT BE REPRODUCED  
WITHOUT 3M WRITTEN PERMISSION OR USED OR  
DISCLOSED FOR OTHER THAN 3M AUTHORIZED  
PURPOSES.

DRAWN S.Berard 12/08

03	REVISED PER CO 030743	7/09	SB
02	REVISED PER CO 029953	1/09	SB
01	RELEASE PER CO 029835	12/08	SB
REV	CHANGE NOTICE	DATE	DRW

TITLE

MARKETING DRAWING  
SCT32NN 12.48" CX

DATE 12/08

SCALE 1 OF 1

SIZE C DOCUMENT NO. 36379-MKT

REV 03